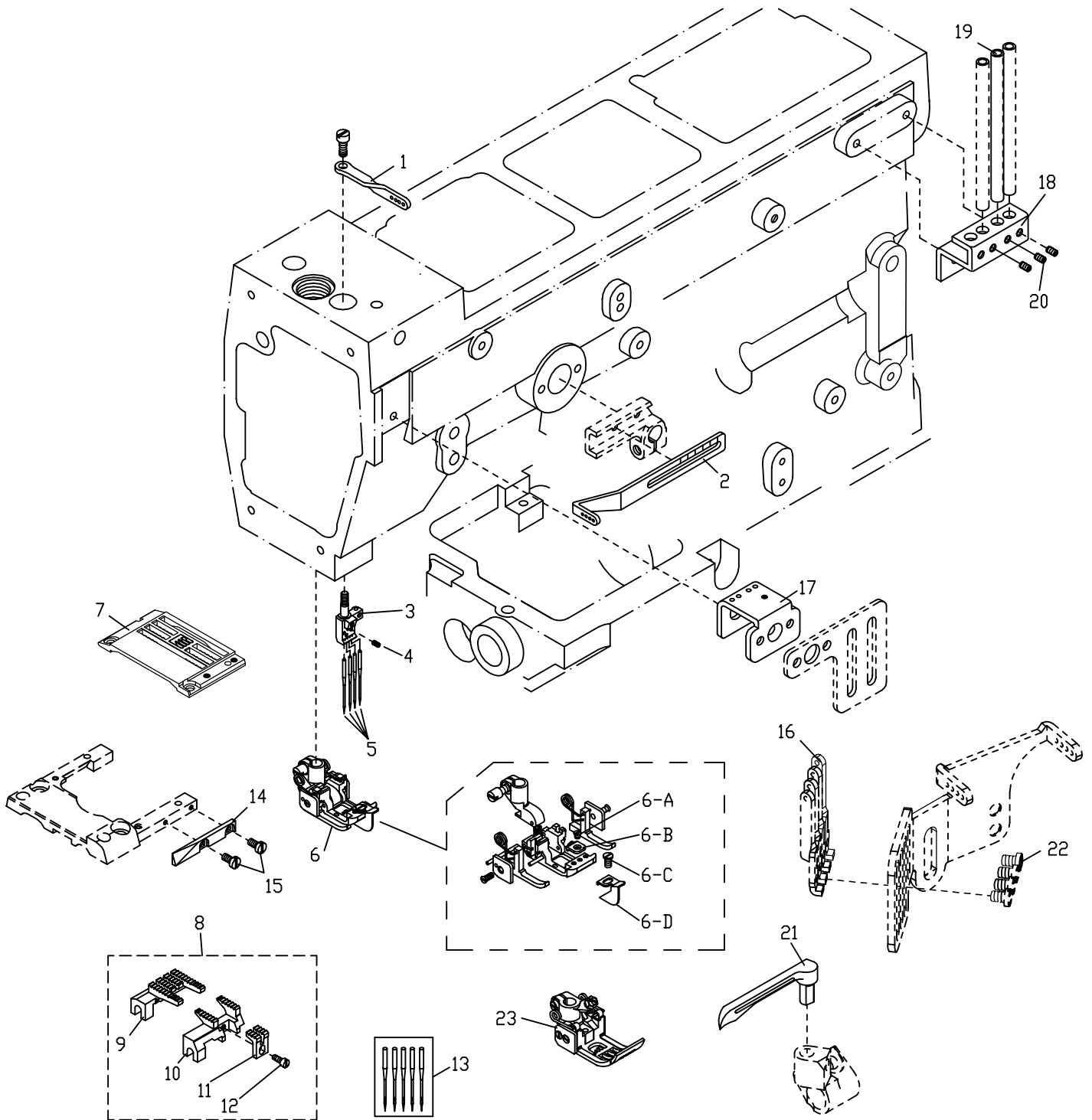


1. CT9760 / CTF9760 筒型四針用零件列表

Parts List For CT9760 / CTF9760 4 - Needle Cylinder Type For Flat-Seaming / Flat-Lock



序號 Ref.No.	名稱 Description	針距 Distance Of Needles		
		5.6	6.0	6.4
3	針留 Needle Clamp	5228NC60561	5228NC60601	5228NC60641
*6	壓腳 Presser Foot	5221PF60561	5221PF60601	5221PF60641
6-B	壓腳舌 Presser Foot Tongue	5221PF6056A	5221PF6060A	5221PF6064A
7	針板 Needle Plate	5226TP60561	5226TP60601	5226TP60641
**23	壓腳 Presser Foot		5227PFT60600	

* For CT9760 用 ** For CTF9760 用

1. CT9760 / CTF9760 筒型四針用零件列表

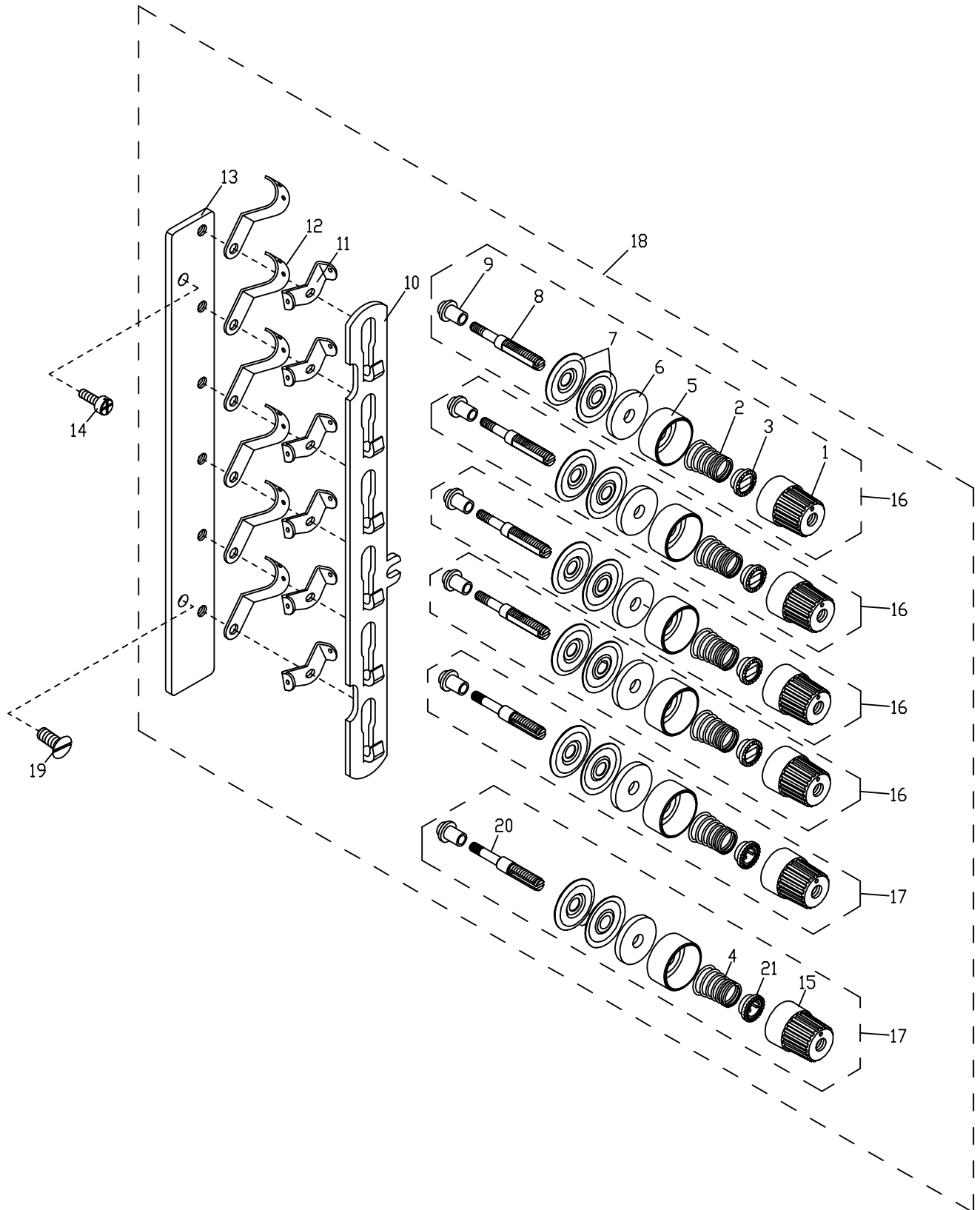
Parts List For CT9660 / CTF9660 4-Needle Cylinder Type For Flat-Seaming / Flat-Lock

序號 Ref.No.	物料編號 Parts No.	名稱 Description	單位用量 Amt. Req.
1	2210600118	導線 Thread Guide -----	1
2	2210600123	針棒揚線桿 Needle Thread Take-Up -----	1
3	-----	針留 Needle Clamp (See Left Page) -----	1
4	8SC24560303B	螺絲 Screw (NT67-7-23 3/32"-56*2.5)-----	4
5	66734-11-5	針 Needle (MY1014B #11) -----	1
*6	-----	壓腳組 Press Foot Set(See Left Page) -----	1
6-A	5221PF6056C	螺絲 Screw -----	1
6-B	-----	壓腳舌 Press Foot Tongue(See Left Page) -----	1
6-C	8SB24560405A	螺絲 Screw (SH0413 3/32"-56*4) -----	1
6-D	5221PF6056F	導布定規 Presser Foot Guide -----	1
7	-----	針板 Needle Plate(See Left Page) -----	1
8	5226DG0003	送布齒組 Feed Dog Asm. -----	1
9	5226FD11560	主送布齒 Main Feed Dog-----	1
10	5226DF13560	副送布齒 Diff Feed Dog -----	1
11	5226AF13560	輔助送布齒 Aux Feed Dog -----	1
12	8MB75180505A	螺絲 Screw (CTS0218 M2.5-0.45*5) -----	1
13	66734-11-5	備用針 Spare Needle (MY1014B #11) -----	1
14	2260000211	擋片 Gefender -----	1
15	8MB75180505A	螺絲 Screw (CTS0218 M2.5-0.45*5) -----	2
16	2270000364	導線桿 Thread Guide -----	1
17	2210600124	導線 Thread Guide -----	1
18	2280020201	導線座 Thread Guide Holder -----	1
19	2200000327	導線管 Thread Guide Pipe -----	1
20	8MN03200500A	螺絲 Screw (STB0116 M3-0.5*5) -----	1
21	5220LL60560	下結線鉤 Looper -----	1
22	8MB03200405A	螺絲 Screw (FT0548 M3-0.5*4) -----	1
**23	-----	壓腳組 Press Foot Set(See Left Page) -----	1

* For CT9760 用

** For CTF9760 用

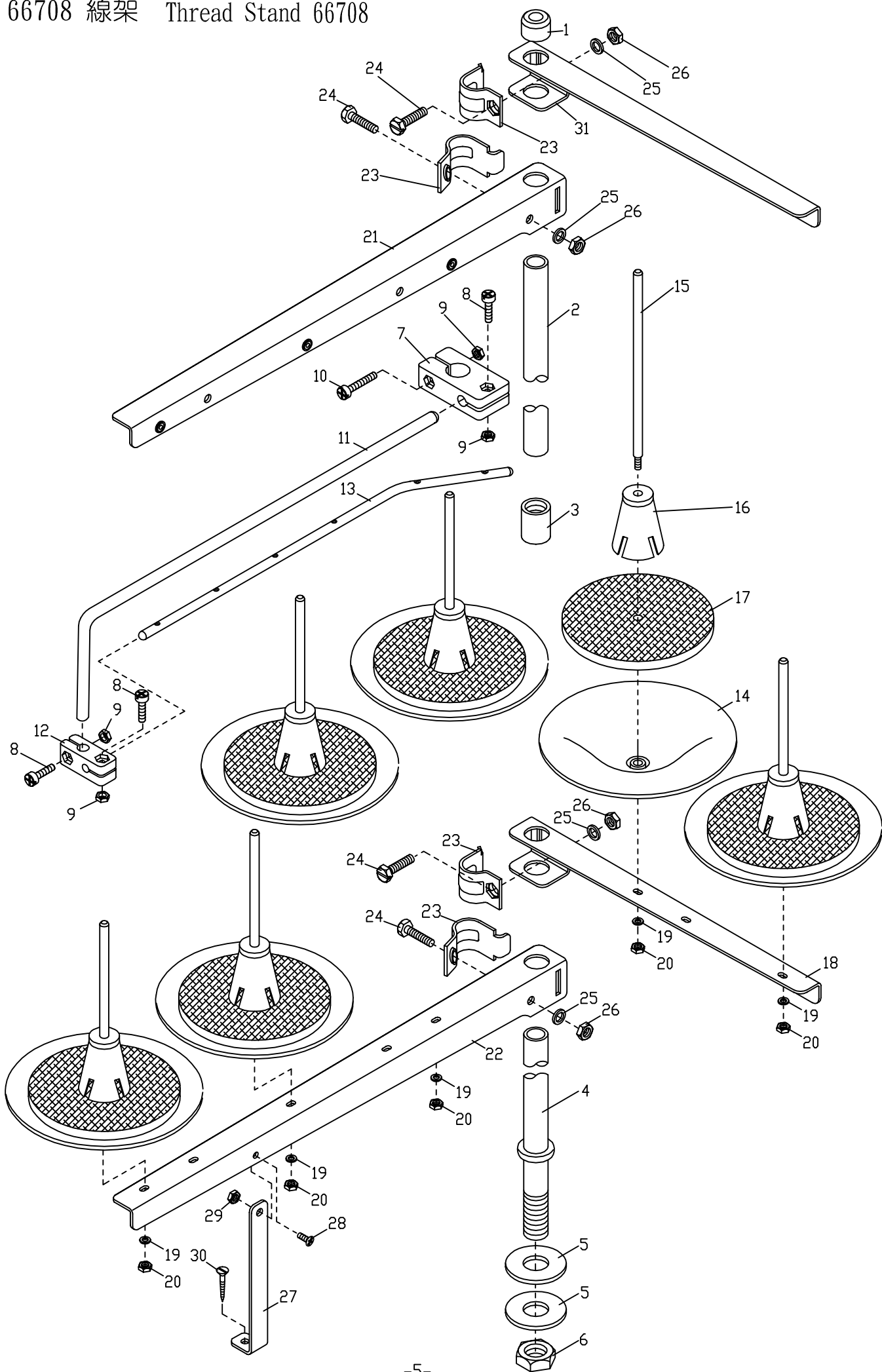
2. 鬆線組 CT6760 / CT9060 / CT9760 / FT6760 / FT6760-1 / FT7060 用
Thread Tension Mechanism Asm.



2. 鬆線組 CT6760 / CT9060 / CT9760 / FT6760 / FT6760-1 / FT7060 用
Thread Tension Mechanism Asm.

序號 Ref.No.	物料編號 Parts No.	名稱 Description	單位用量 Amt. Req.
1	2100001121	張力調整螺帽 Tension Nut (Red) (SH1121)-----	4
2	2100001123	彈簧 Spring (Red) (SH1123)-----	4
3	2200000303	套管 Bushing -----	4
4	2100041131	彈簧 Spring (Yellow) (SH1131)-----	2
5	2200000305	彈簧座 Spring Seat -----	6
6	2100001127	羊毛氈 Felt -----	6
7	2100001126	張力控制盤 Tension Disc -----	12
8	22000003081	螺樁 Stud -----	4
9	22000003091	隔環 Spacer -----	6
10	22006002101	鬆線滑板 Release Wedge -----	1
11	2200000311	導線 Thread Guide -----	6
12	2200000312	導線 Thread Guide -----	6
13	2200600213	張力控制組座 Tension Post Support -----	1
14	8MC04280807D	螺絲 Screw (CT0130 M4-0.7*8) -----	1
15	2100001121A	張力調整螺帽 Tension Nut (Yellow) (SH1121)-----	2
16	231A0001922	張力控制組 Tension Asm. (Red) -----	4
17	220A0000315	張力控制組 Tension Asm. (Yellow) -----	2
18	220A06002181	鬆線組 Thread Tension Set Asm. -----	1
19	8ME04280708A	螺絲 Screw (CT0206 M4-0.7*7) -----	1
20	22000003611	螺樁 Stud -----	2
21	2100001122	止滑齒輪 Bush -----	2

3. 66708 線架 Thread Stand 66708



3. 66708 線架 Thread Stand 66708

序號 Ref. No.	物料編號 Parts No.	名稱 Description	單位用量 Amt. Req.
1	667051	柱帽 Rod Cover -----	1
2	667052	上柱 Upper Thread Stand Rod -----	1
3	667053	接頭 Joint -----	1
4	667054	下柱 Lower Thread Stand Rod -----	1
5	667055	墊圈 Washer -----	2
6	667056	螺帽 Nut -----	1
7	667057	接頭 Bracket -----	1
8	667058	螺絲 Screw -----	3
9	667059	螺帽 Nut -----	4
10	6670510	螺絲 Screw -----	1
11	6670511	旋臂 Arm -----	1
12	6670512	接頭 Bracket -----	1
13	6670513	導線桿 Thread Guide -----	1
14	6670514	線盤 Spool Set for SH6005 -----	6
15	6670515	線盤軸 Spool Pin -----	6
16	6670516	定心錐 Spool Retaining Lup -----	6
17	6670517	緩衝墊 Seat -----	6
18	6670522	線盤座 Spool Set Bracket -----	1
19	6670519	彈簧墊圈 Spring Washer -----	5
20	6670520	螺帽 Nut -----	5
21	6670521	導線臂 Thread Guide -----	1
22	6670522	線盤座 Spool Set Bracket -----	1
23	6670523	夾板 Clamp -----	4
24	6670524	螺絲 Screw -----	4
25	6670525	彈簧墊圈 Spring Washer -----	4
26	6670526	螺帽 Nut -----	4
27	6670527	撐桿 Support Rod -----	1
28	6670528	螺絲 Screw -----	1
29	6670529	螺帽 Nut -----	1
30	6670530	木螺絲 Wood Screw -----	1
31	6670521	導線臂 Thread Guide -----	1